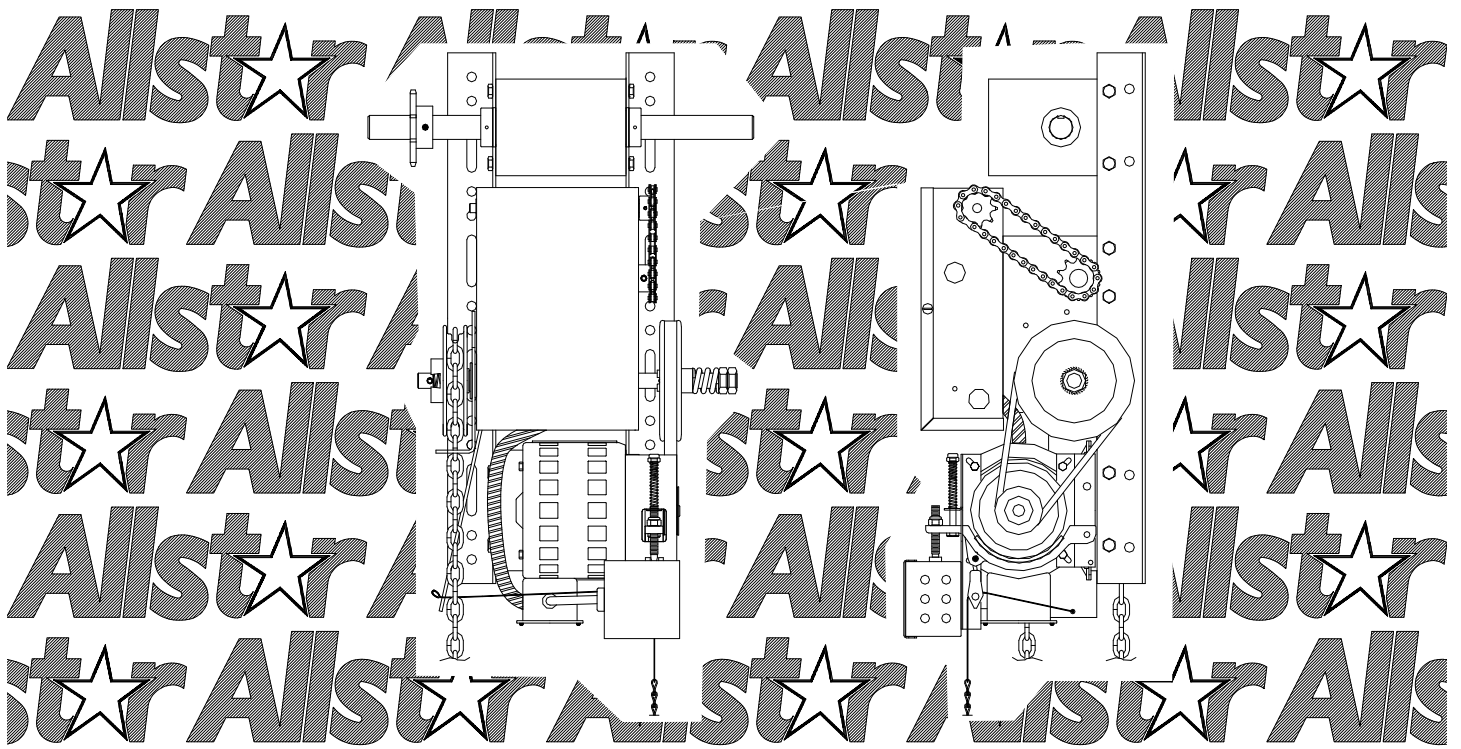


INSTALLATION AND OWNER'S MANUAL

MJ5011S & MH5011S

MS SERIES JACKSHAFT COMMERCIAL VEHICULAR DOOR OPERATORS



100771



As of date of manufacture, meets all ANSI/UL 325 Safety Requirements for Vehicular door operators

Serial #:
Date Installed:
Your Dealer:



READ THIS MANUAL CAREFULLY BEFORE INSTALLATION OR USE. SAVE THIS MANUAL!



Product Features 3

Jackshaft Operator Applications..... 3

Preparation 4

Figure 1 - Component Identification Pictorial..... 4

Important Installation Warnings (Things To Do Before & During Installation) 5

Table 1 - Component Identification Listing..... 5

Installation Instructions 6-12

Figure 2 - Operator Footprint..... 6

Figure 3 - Release/Hand Chain Wall Bracket Installation 7

Figure 4 - Mounting Positions 7

Figure 5 - Operator Dimensions - Model M50JF..... 8

Figure 5A - Operator Dimensions - Model M50JH..... 8

Setting The Limits 9

Figure 6 - Limit Adjustment 9

Electrical Wiring Instructions 10

Figure 7 - Power Connections 10

Figure 8 - Pneumatic Door Edge Installation..... 11

Figure 9 - Pneumatic / Foam Door Edge & Photoelectric Wiring 11

Figure 11 - 3 Button Station Wiring..... 12

Figure 12 - Single Button / External Interlock Wiring..... 12

Turning On Power to the Operator 12

Operation and Adjustment Instructions 13-18

Important Safety Instructions for Owner 13

Clutch Adjustment..... 14

Brake Adjustment..... 15

Setting the Switch Selectable Operation Modes 15

Setup Modes 17

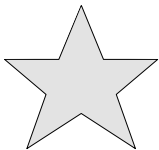
Testing 18

Maintenance 18

Wiring Diagram..... 19

Warranty..... 20

READ THESE STATEMENTS CAREFULLY AND FOLLOW THE INSTRUCTIONS CLOSELY.



The Warning and Caution boxes throughout this manual are there to protect you and your equipment. Pay close attention to these boxes as you follow the manual.

WARNING
Indicates a MECHANICAL hazard of INJURY OR DEATH. Gives instructions to avoid the hazard.

CAUTION
Indicates a MECHANICAL hazard of DAMAGE to your operator or equipment. Gives instructions to avoid the hazard.

WARNING
Indicates an ELECTRICAL hazard of INJURY OR DEATH. Gives instructions to avoid the hazard.

CAUTION
Indicates an ELECTRICAL hazard of DAMAGE to your operator or equipment. Gives instructions to avoid the hazard.

The purpose of this booklet is to provide assembly, installation and operation information concerning Allstar Model MJ5011S & MH5011S (MS Series) Commercial Vehicular Garage Door Operators and related Accessory Products.

NOTICE

IT IS IMPORTANT THAT THIS INSTRUCTION MANUAL BE READ AND UNDERSTOOD COMPLETELY BEFORE INSTALLATION OR OPERATION IS ATTEMPTED. IT IS INTENDED THAT THE INSTALLATION OF THIS UNIT WILL BE DONE ONLY BY PERSONS TRAINED AND QUALIFIED IN THE INSTALLATION, ADJUSTMENT AND SERVICE OF COMMERCIAL OVERHEAD DOORS AND DOOR OPERATORS AND BY QUALIFIED ELECTRICIANS.

NOTICE

THE IMPORTANT SAFEGUARDS AND INSTRUCTIONS IN THIS MANUAL CANNOT COVER ALL POSSIBLE CONDITIONS AND SITUATIONS WHICH MAY OCCUR DURING ITS USE. IT MUST BE UNDERSTOOD THAT COMMON SENSE AND CAUTION MUST BE EXERCISED BY THE PERSON(S) INSTALLING, MAINTAINING AND OPERATING THE EQUIPMENT DESCRIBED HEREIN. DO NOT USE THIS EQUIPMENT FOR ANY OTHER THAN ITS INTENDED PURPOSE - OPERATING OVERHEAD COMMERCIAL VEHICULAR GARAGE DOORS.

STANDARD FEATURES

Solid State Controls: The Allstar MJ5011S & MH5011S operators employ solid state technology with advanced standard features to provide for a complete commercial door operating system.

Limit Switches: Driven limit switches, easily adjusted over a wide range. The motor may be removed without affecting the limit switch adjustments.

Manual Release: Permits manual operation of the door in the event of a power failure. The Model MH511S is equipped with a chain hoist to aid in manual operation.

Control Circuit: Connection terminals for a standard three button Open, Close and Stop control station at 5 Volts DC. The motor control board features a built-in 3 button station for test purposes.

Connections For Auxiliary Entrapment Protection

Devices: For the ultimate in protection, terminals are provided to connect an Allstar Safe-Finish™ or Access Alliance Safe-Finish II™ monitored photo-beam system. Additional connection terminals for a Normally Open and Normally Closed reversing devices such as foam or pneumatic reversing door edge components or a three wire photo-beam are provided.

Constant Contact To Close: Standard operating mode (C2), programmable to Momentary Contact To Close (B2) and four additional operational modes.

MS SERIES DOOR OPERATOR APPLICATIONS:

Jackshaft operators are intended for commercial and industrial use to raise or lower sectional overhead doors by chain coupling or direct coupling to the door shaft. Jackshaft operators are suitable where all or part of the door remains in a vertical position when fully open such as doors with at least 18 inches of lift clearance or full vertical lift doors. MS Series Jackshaft operators may also be used with certain roll up service doors and grills when appropriately sprocketed (consult factory).

A jackshaft operator **DOES NOT LOCK THE DOOR IN ITS CLOSED POSITION.** However, because the cross-header shaft is prevented by the operator from turning, the torsion springs provide no assistance in lifting the door should an attempt be made to raise it manually.

The MS Series jackshaft operators are used in the following applications:

- Intermittent Duty, Limited Cycle Commercial installations only
- Rate of operation shall not exceed 10 cycles of opening and closing per hour, maximum 60 cycles per day.
- Indoor Use Only
- Up to 14 foot high doors with a maximum area of 196 square feet, maximum area slightly higher for lighter doors - consult factory
- Use with foam/pneumatic reversing door edge or photoelectric device - **REQUIRED** where the 3-button station is out of sight of the door, or *any* other automatic, remote or manual control is used to activate the door

OPTIONAL FEATURES:

Digital Radio Controls: Open, Close and Stop operation. Radio units are available to control up to 27 doors from one transmitter.

Timer to Close Operation: Two of the programmable operation modes (T & TS), closing delay is adjustable from 5 seconds (factory set at 30 seconds) to 5 minutes in five second intervals.

Delay on Reverse: Factory set to 0.6 seconds, adjustable to 2 seconds.

Keyless Entry System: Connection terminals provided for hard wired or wireless keyless entry systems.



WARNING

ELECTRIC DOOR OPENERS ARE DESIGNED FOR DOORS IN GOOD WORKING CONDITION, PROPERLY COUNTERBALANCED AND PROPERLY ADJUSTED IN ACCORDANCE WITH THE DOOR MANUFACTURER'S INSTALLATION INSTRUCTIONS.

Before starting the installation of the operator, the door must be in good working condition and properly counterbalanced. Inspect the door and track for loose or missing hardware. Test the door manually for balance and ease of operation. Lubricate door hinges and rollers. If necessary, employ a qualified technician to adjust the springs for proper counterbalance of the door.

Stops should be installed at the top end of each track to prevent the possibility of the door rollers moving beyond the ends of the track.

If the cross header shaft is made from hollow tubing rather than solid rod, it is recommended that it be plugged with a short length of solid bar for a more secure installation of the shaft sprocket or flange coupler.

Before removing the operator powerhead from the shipping

carton, inspect the nameplate on the cover of the operator control box to verify that it is the correct model for the intended application and that the voltage and phase are in accordance with electrical power provided at the job site. If the operator was ordered with the optional chain hoist, Model MH5011S, see that it is so equipped. A chain hoist CANNOT be added in the field.

Warning: Rope off the area to keep personnel and vehicles clear of the door and floor space in the vicinity of the operator during the installation.



WARNING

SPRINGS ARE SUBJECT TO VERY HIGH FORCES AT ALL TIMES AND ADJUSTMENTS MUST BE MADE ONLY BY A QUALIFIED PROFESSIONAL DOOR INSTALLER.

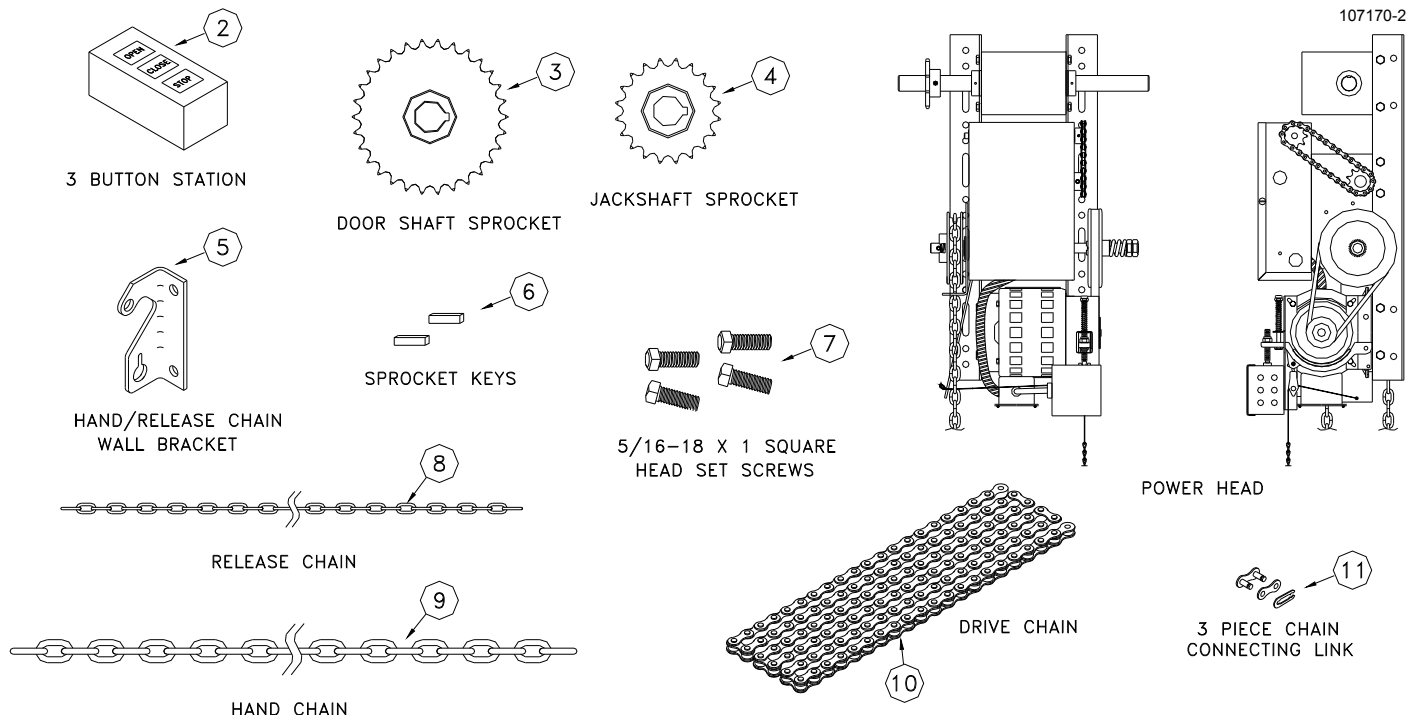


WARNING

REMOVE OR DISABLE ANY LOCKING DEVICES FROM DOOR AND REMOVE ALL ROPES



COMPONENT IDENTIFICATION



**WARNING**

TO REDUCE THE RISK OF SEVERE INJURY OR DEATH: READ AND FOLLOW ALL INSTALLATION INSTRUCTIONS!

- ◆ Install only on a properly balanced garage door. An improperly balanced door could cause severe injury. Have a qualified service person make repairs to cables, spring assemblies and other hardware before installing the opener.
- ◆ Remove all ropes and remove or make inoperative all locks (unless mechanically and/or electrically interlocked to the power unit) that are connected to the garage door before installing the opener.
- ◆ Lightweight doors (fiberglass, aluminum etc.) must be reinforced to avoid door damage. Check the door manufacturer's instruction manual for a bracing procedure or the availability of a Reinforcement Kit.
- ◆ Allstar Model MJ5011S and MH5011S are Commercial Vehicular Door Operators and as such are NOT recommended for pedestrian traffic. In installations where it is known that pedestrians will be nearby ensure a pedestrian door is available for entrance and exit to the building. In addition YOU MUST install an auxiliary entrapment protection device (reversing door edge or photoelectric beam device) as part of the complete operator system.
- ◆ Connect an auxiliary entrapment protection device (reversing edge or photoelectric device across the door opening). A device of this type is **STRONGLY ADVISED FOR ALL** commercial operator installations. An auxiliary entrapment protection device is **REQUIRED** when the three button control station is out of sight of the door or any other automatic or manual control is used.
- ◆ Install the opener at least 8 feet or more above the floor.
- ◆ Do not connect the opener to the source of power until instructed to do so.
- ◆ Locate the control station:
 - ◆ a) within sight of the door and;
 - ◆ b) at a minimum height of five feet above the floor and;
 - ◆ c) away from all moving parts of the door.
- ◆ Do not overtighten the clutch adjustment to compensate for a poorly working door.
- ◆ Securely attach any WARNING signs or placards to either the door or above the control station as directed.
- ◆ After installing the opener, all safety features must be tested for proper operation (see page 18).

COMPONENT IDENTIFICATION LISTING



ITEM #	PART#	DESCRIPTION	QUAN.	ITEM #	PART#	DESCRIPTION	QUAN
1		Operator Power Head	1	6	100413	1/4" Square Key	2
2	005031	3 Button Station	1	7	006119	5/16-18 x 1 Square Head Set Screw	4
3	009062	30 Tooth Sprocket, 1" Bore, 1/4 Key	1	8	009249	Release Chain	AR
4	009061	20 Tooth Sprocket, 1" Bore, 1/4 key	1	9	100315	#3 Hand Chain - Precut to 26 Ft.	1
5	105193	Release/Hand Chain Wall Bracket	1	10	009239	Drive Chain to Door Shaft, 4 Ft.	1

— AR - As Required



SPRINGS, PULLEYS, CABLES AND MOUNTING HARDWARE USED TO BALANCE YOUR GARAGE DOOR ARE UNDER EXTREME TENSION AT ALL TIMES AND CAN CAUSE SEVERE INJURY OR DEATH IF DISTURBED. DO NOT ATTEMPT ADJUSTMENT.

Figure 4, page 7 illustrates several positions suitable for mounting the operator; right hand or left hand, either wall mount or ceiling mount.

CHAIN COUPLING MOUNTING

Refer to **Figure 2** (below), **Figure 1**, page 4 and **Figures 5 and 5A**, page 8 for component identification and the operator mounting slot locations. Place the sprockets [3] and [4] on the chosen side of the torsion shaft of the door and on the corresponding end of the output shaft of the operator. The sprockets should be kept as close as possible to the bearings. Fasten the connecting link to each end of the door chain and loop the chain over the sprocket [3] on the torsion shaft. Temporarily suspend the operator in its mounting position using the chain over the sprocket [4] at one end of the jackshaft and a rope or chain at the mid point (to support the operator weight). With the chain tight and straight and the jackshaft **parallel** with the torsion shaft, trace the mounting slot on the mounting surface then lower the operator to the floor.

IT IS ESSENTIAL THAT THE SURFACE SUPPORTING THE OPERATOR BE RIGID AND SECURE. FAILURE TO PROVIDE A FIRM MOUNTING SURFACE WILL RESULT IN DAMAGE TO THE DOOR TORSION SHAFT AND THE PREMATURE FAILURE OF THE OPERATOR.

If the construction permits, the operator should be mounted with 3/8 inch diameter bolts through the wall. If it is not feasible to go

through the wall, then use lag bolts to fasten the operator to the mounting surface. Locate the four holes within the tracings of the slots made in the previous step at the positions which will allow for adjustment of the chain tension. After drilling the mounting holes and installing lag shields, if necessary, bolt the operator to the mounting surface but do not completely tighten the bolts at this time. Check the alignment of the sprockets, adjust their positions on the shafts if necessary and tighten the set screws securely on both sprockets. pulling downward on the operator to remove slack from the chain, tighten the four mounting bolts.

Inspect the installation. There should be no slack in the chain but neither should it be under severe tension which might shorten the life of the bearings. If there is any flexibility in the system due to construction of the surface supporting the operator or noticeable deflection of the door shaft, it is advisable to install a shaft support between the operator jackshaft and the door shaft to prevent the loss of limit settings due to the possibility of the chain jumping over the sprocket teeth. Shaft supports are available from the factory.

BEFORE PROCEEDING WITH THE OPERATOR INSTALLATION AND SETTINGS, MAKE A FINAL CHECK FOR TIGHTNESS OF ALL MOUNTING HARDWARE AND SET SCREWS.

Proceed to "Chain Hoist and Floor Disconnect Installation".

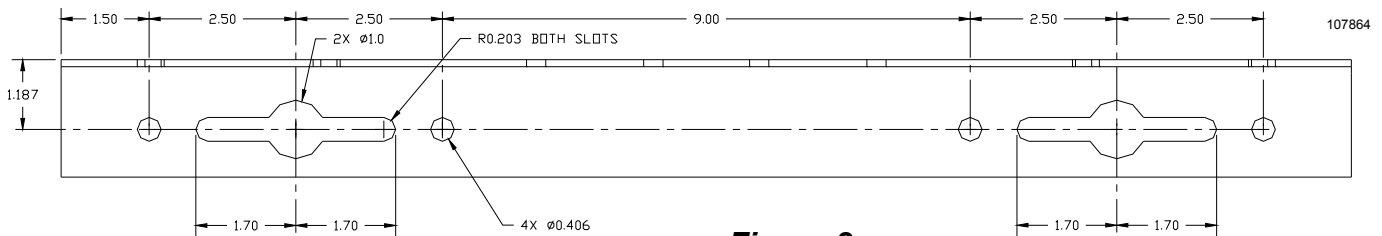
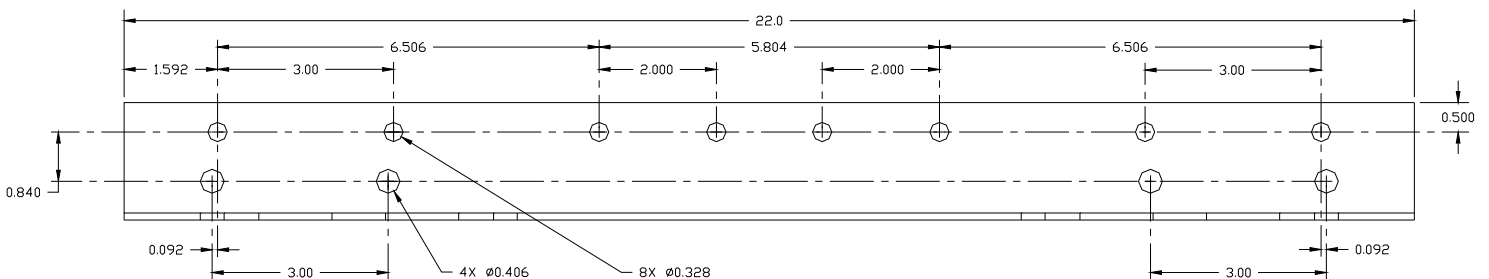


Figure 2





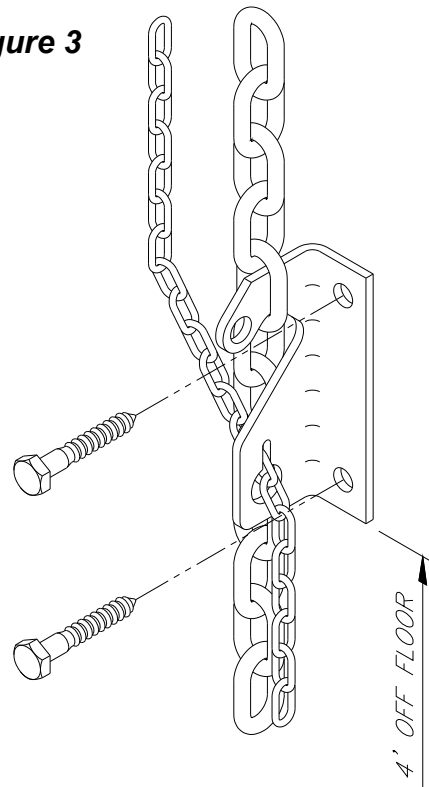
CHAIN HOIST AND FLOOR DISCONNECT INSTALLATION

If the operator is furnished with a chain hoist (Model MH5011S), pass the hand chain over the chain wheel and through the chain guides on the operator clutch shaft (opposite end from the large pulley). Fasten the ends of the chain together by opening and re-closing one link using two pairs of pliers. If the chain is too long (standard length for 16 foot high doors and below is 26 feet total length of chain), shorten it to the desired length using the method described above and discard the unused portion.

Fasten the chain hoist holding bracket furnished with the operator to the wall approximately four feet from the floor. This bracket is also used to hold in place the release chain for both the chain hoist equipped units (MH5011S) and floor disconnect models (MJ5011S).

Figure 3

107174

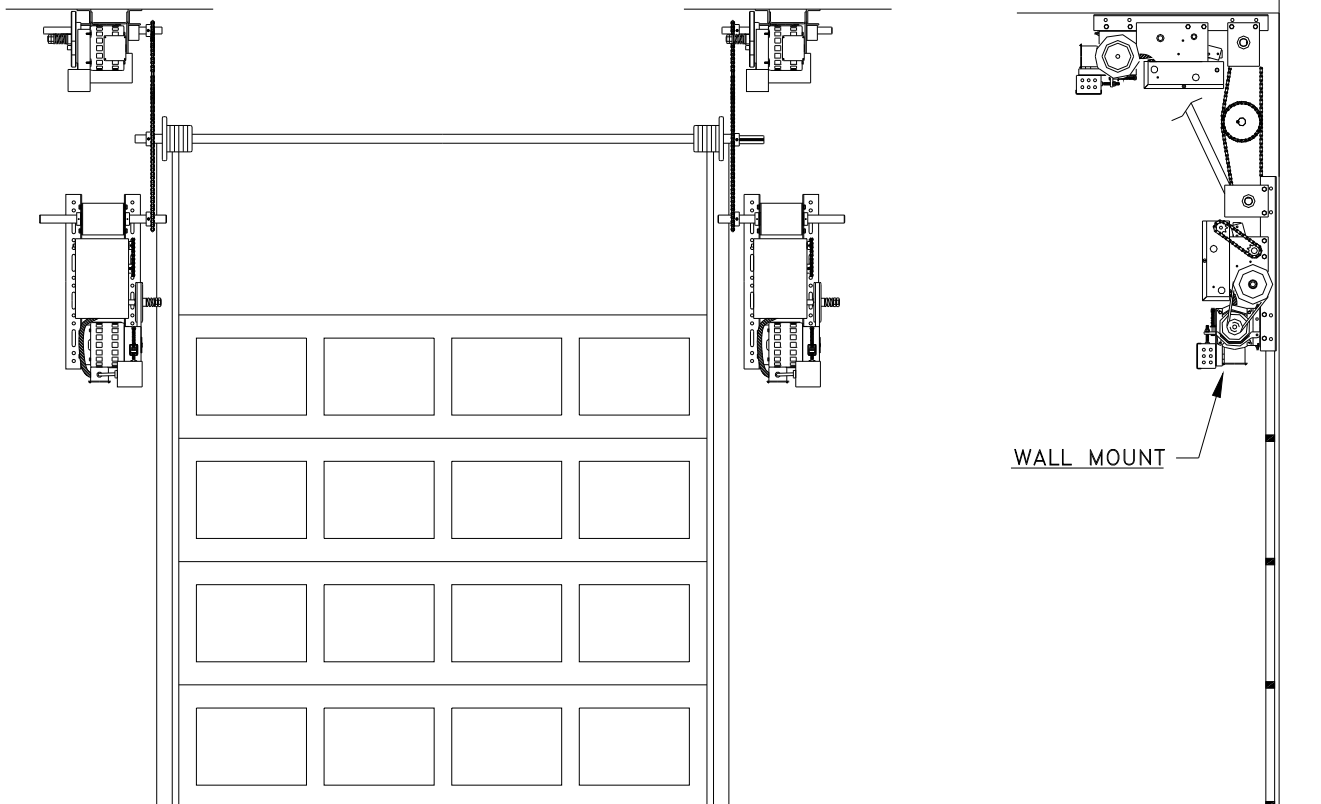


JACKSHAFT OPERATOR MOUNTING POSITIONS

LEFT HAND

RIGHT HAND

CEILING MOUNT



VIEW IS INSIDE LOOKING OUT

Figure 4

100773



FIGURE 5 - OPERATOR DIMENSIONS - MODEL MJ5011S

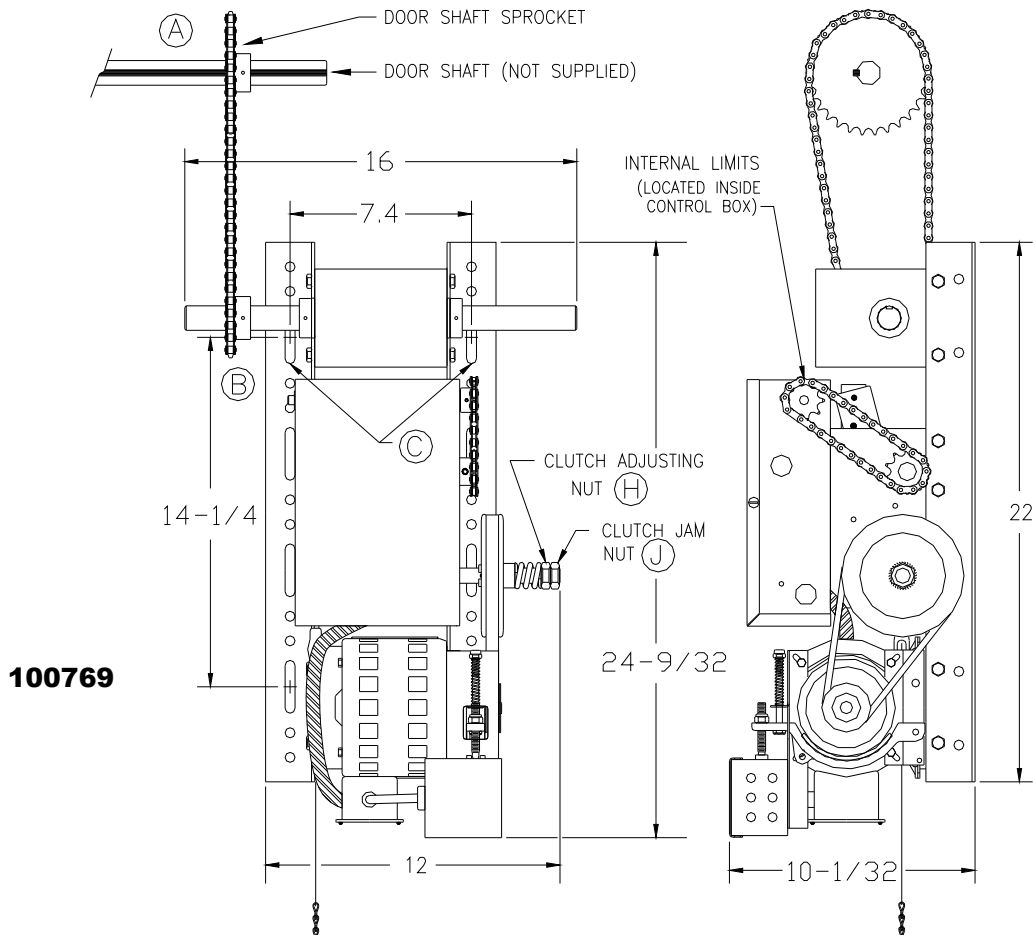
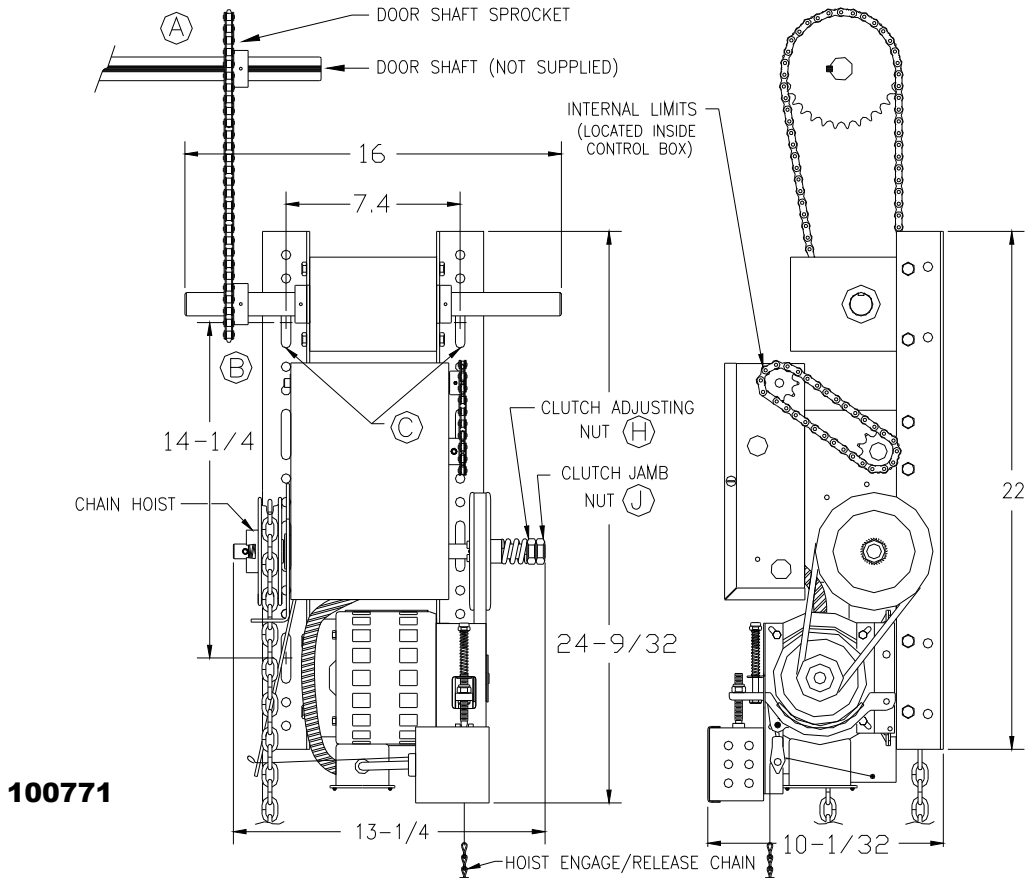


FIGURE 5A - OPERATOR DIMENSIONS - MODEL MH5011S





WARNING

TO AVOID RISK OF ENTRAPMENT AND POSSIBLE DAMAGE TO THE DOOR AND OPERATOR THE LIMITS MUST BE ADJUSTED BEFORE APPLYING POWER TO THE OPERATOR.

SETTING THE LIMIT SWITCHES

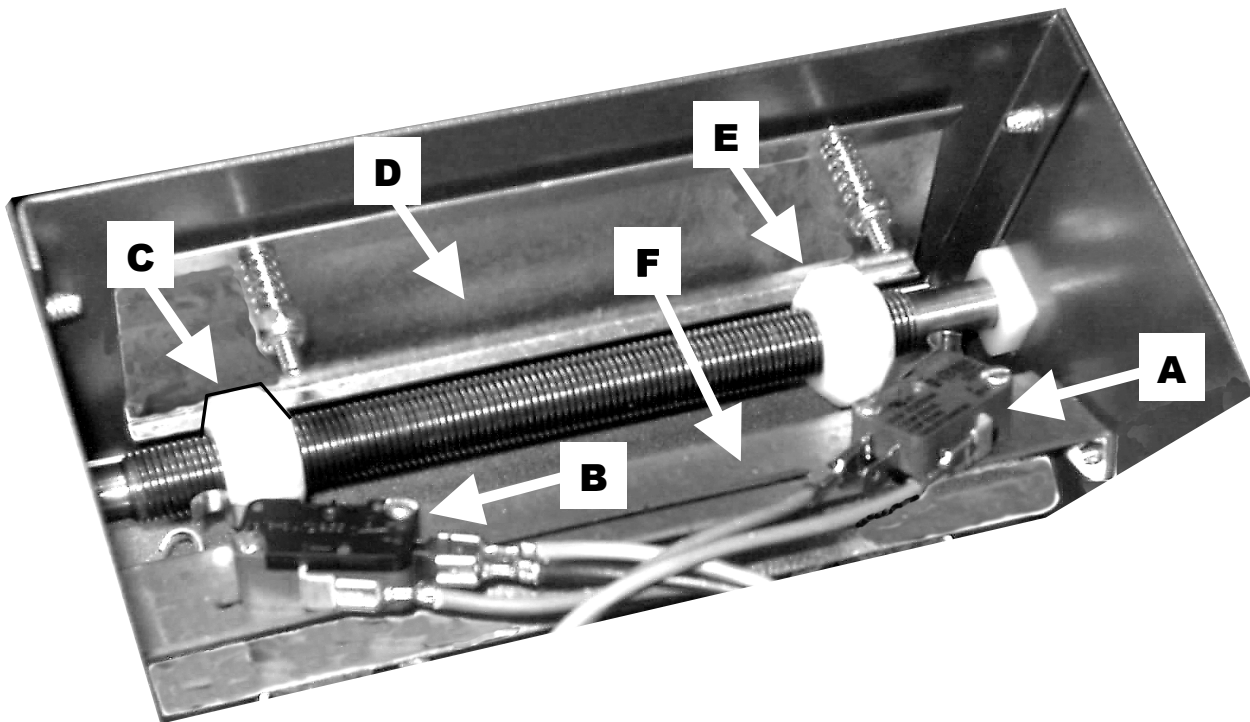
- 1) With the cover open on the electrical enclosure, reference Figure 6 below. There are two (2) switches (A and B) mounted to the 'V' bracket (F). The switches are activated by the two limit nuts (C and E) on the threaded shaft which move laterally along the shaft as the operator opens and closes the door. When a limit nut nears the end of the shaft it activates a switch, that send a message back to the motor control board to stop the door.
- 2) Depress the Limit Nut Retention Plate (D) so it disengages from the slots in the limit nuts and move the Limit nuts to the center of the threaded shaft.
- 3) Manually raise the door to a nearly open position.
- 4) Depress the limit nut retaining plate (D) so it disengages from the slots in the limit nuts. Turn the OPEN limit nut (C) on

the shaft until it engages the Open Limit Switch (B). You will need to listen for an audible click. Release the retaining bracket and be sure that it engages in slots of both limit nuts.

- 5) Manually lower the door to the fully closed position and repeat Step #3 with the Reverse Cutout Limit nut (E) and the Reverse Cutout Limit switch (A). The actual Close Limit position is a timed function whereas the door continues to run for a certain period of time after the Reverse Cutout Limit switch is activated. This amount of time (Close Limit Delay) is factory set to 0.32 seconds and will provide reversing cutout of approximately 4 inches from the floor for a door traveling at 12 inches per seconds. If the door fails to reverse when an object at least four inches high is placed in its path (see Testing, page 18) it may be necessary to adjust the Close Limit Delay time, see procedure on page 16 and 17.

- 6) Manually move the door to a half open position. With the door in a mid position there will be time to stop the door if something or someone were in the door path when initially starting the door.

- 7) A final limit adjustment will be necessary after the connection of the power supply in order to ensure the door stops at the proper Open and Close positions. If desired, a fine adjustment can be done as part of the final adjustment by loosening the screws holding the Limit Switches to the V bracket and moving the switch within the slots on the bracket.




**A - REVERSE CUTOUT LIMIT SWITCH
B - OPEN LIMIT SWITCH
C - OPEN LIMIT NUT**

**D - LIMIT NUT RETAINING BRACKET
E - REVERSE CUTOUT LIMIT NUT
F - "V" BRACKET**


Figure 6 - Limit Assembly



 **WARNING**

TO PREVENT THE RISK OF PERSONAL INJURY OR DEATH :

- **DISCONNECT POWER AT THE FUSE BOX BEFORE PROCEEDING.**
- **ELECTRICAL CONNECTIONS MUST BE MADE BY A QUALIFIED INDIVIDUAL.**
- **OBSERVE LOCAL ELECTRICAL CODES WHEN WIRING THE OPERATOR.**

 **WARNING**

RISK OF ENTRAPMENT THAT MAY RESULT IN SERIOUS PERSONAL INJURY OR DEATH. DISCONNECT POWER TO THE OPENER BEFORE AND DURING INSTALLATION OF AN ACCESSORY REVERSING DOOR EDGE OR PHOTOELECTRIC DEVICE. DO NOT RECONNECT POWER TO OPENER UNTIL INSTRUCTED TO DO SO. ENSURE DOORWAY IS CLEAR BEFORE STARTING TESTING OF UNIT.

WARNING: Allstar's MS Series operators have been designed and constructed for use with 115 Volts AC single phase, see Figure 7 below. Check the operator nameplate label on the control box cover for the proper voltage and phase. The application of an improper input voltage or phase will result in catastrophic failure to the internal electrical components.

Observe local electrical codes when wiring the operator.

When hard wiring, observe state and local electrical codes. A wiring diagram is attached to the inside of the control box cover. Connect the appropriate voltage and phase power leads to the appropriate terminals as per the wiring diagram and connect a ground wire to the grounding screw.

The wiring diagram attached inside the cover of the control box details all of the field wiring terminal connections for the operator. Always connect the wires to the push-button controls and auxiliary devices exactly as shown.

Warning: Control voltage of the operator is 5 volts DC, Class 2.

Do not run the power leads and control circuit wiring in the same electrical conduit.

Note: MS Series model operators are pre-wired for door reversing edge components. To comply with code requirements, the door reversing edge components must be installed and wired to the operator. Refer to Figure 8 Door Edge component installation and Figure 9 for Door Edge and photoelectric device wiring.

If an Allstar Safe-Finish™ or Access Alliance Safe-Finish II™ photo-beam is connected and the photo-beam detects an obstruction or becomes inactive, an opening door continues to open and a closing door stops, pauses and starts open. While in this mode, if a problem is detected while the operator is stopped, a close will require constant activation. If the photo-beam is attached and is properly working for 1 second, it will be **auto detected and the monitored function will be turned on**. Once the monitoring function is active, it will remain active even if the power is removed and the photo-beam is disconnected and power is restored. While in this mode, if a problem is detected while the operator is stopped, a close will require constant activation.

Operators which are equipped with a reversing edge circuit may have one or more additional means of control which should be wired in accordance with the diagram supplied in the operator and also illustrated in Figures 10 & 12. To add a second three button station, refer to Figure 11.

Number 22 gauge wire or heavier must be used for wiring the control stations and auxiliary control devices to the operator. Smaller gauge wire may cause operational problems, especially when multiple push-button stations are used or **during summer months**.

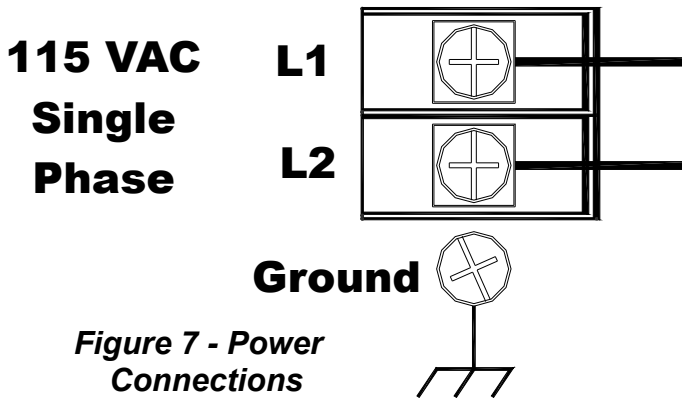



Figure 7 - Power Connections

 **WARNING**

TO PREVENT THE RISK OF PERSONAL INJURY AND/OR DAMAGE TO DOOR OR PROPERTY, ONLY OPERATE DOOR CONTROL WHEN DOOR IS IN CLEAR VIEW. IF CONTROL STATION CANNOT BE LOCATED WHERE THE DOOR IS VISIBLE OR IF ANY OTHER DEVICE IS USED TO CONTROL THE DOOR AN AUXILIARY ENTRAPMENT DEVICE (DOOR EDGE OR PHOTOELECTRIC) MUST BE CONNECTED.

 **CAUTION**

TO AVOID DAMAGE TO DOOR AND OPERATOR ENSURE ALL DOOR LOCKS ARE DISABLED. USE AN INTERLOCK SWITCH IF A LOCK IS REQUIRED TO RETAIN FUNCTIONALTY.

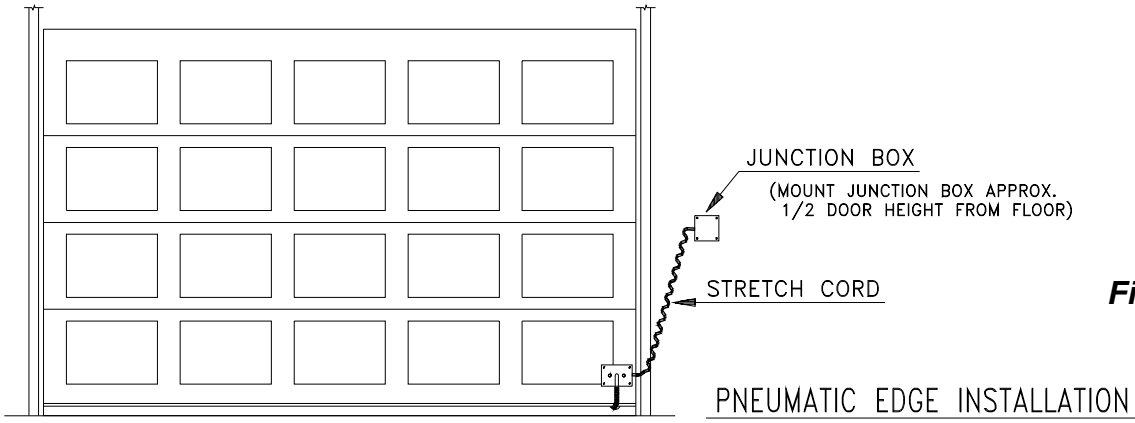
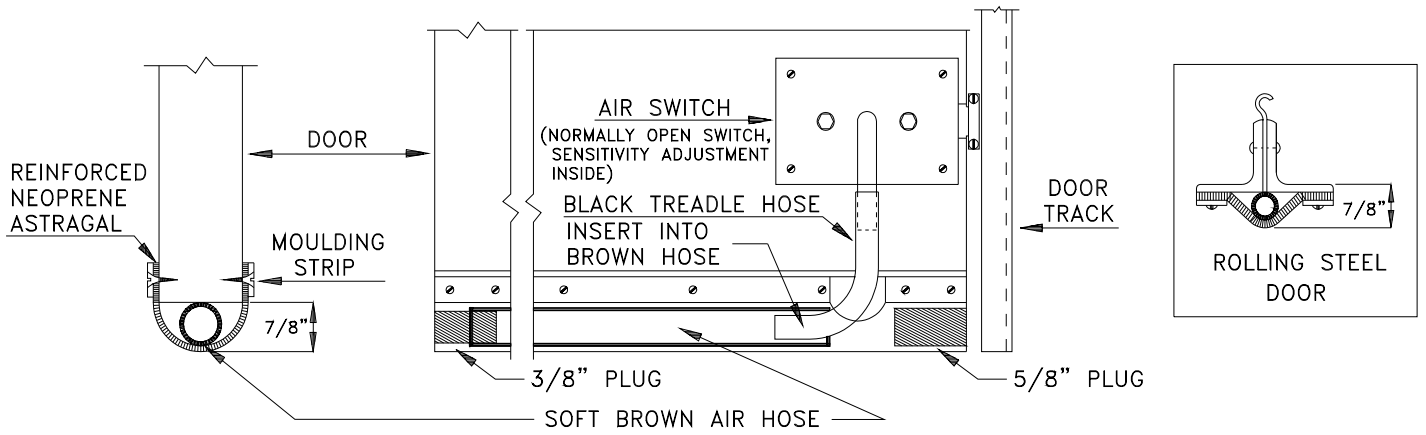
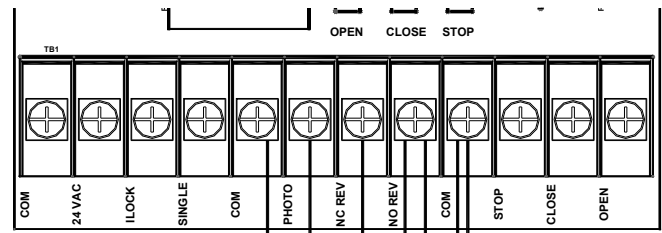


Figure 8

100460A

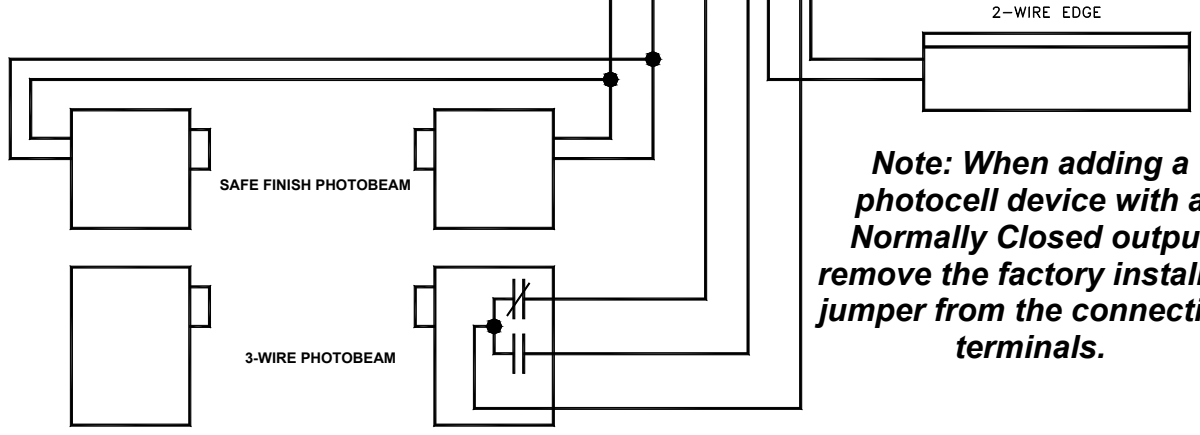
Figure 9

MOTOR CONTROL BOARD

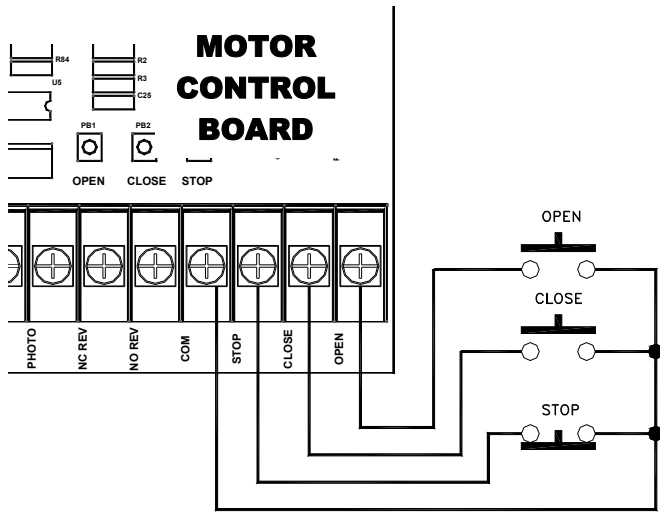


Door Edge and Photoelectric Wiring

See text on page 10 for operation when Safe-Finish™ or Access Alliance Safe-Finish II™ photo-beams are connected.

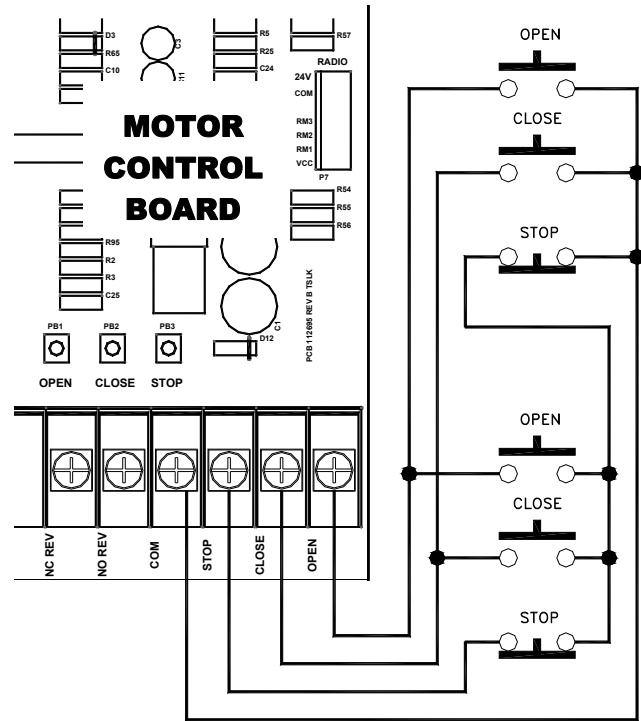


Note: When adding a photocell device with a Normally Closed output remove the factory installed jumper from the connection terminals.



Single 3 Button Station

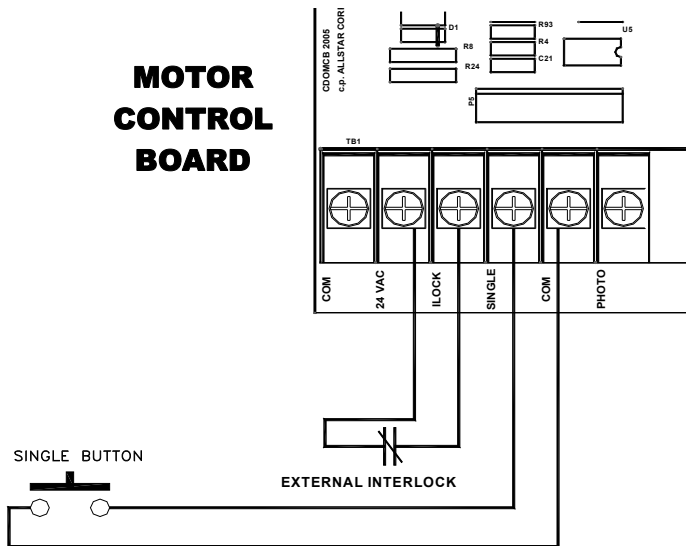
Figure 10



Multiple 3 Button Station

Figure 11

MOTOR CONTROL BOARD



Single Button and External Interlock Wiring

Figure 12

Note: When adding an External Interlock remove the factory installed jumper from the connection terminals.

TURNING ON THE POWER TO THE OPERATOR

NOTE: It is now necessary to turn on the power in order to to change the Operating Mode (if applicable), program any changes desired to the operator’s other settings, check for proper operation, and finalize any adjustments to include the limit settings. Before doing so, ensure that all mounting hardware are installed and properly tightened, that all electrical connections are per local code requirements, and that proper wiring practices have been followed. Also, double-check that all ropes have been removed from the door and that the doorway is clear.



IMPORTANT SAFETY INSTRUCTIONS FOR OWNER



WARNING

TO REDUCE THE RISK OF SEVERE INJURY OR DEATH: READ AND FOLLOW ALL INSTRUCTIONS!

- Understand all of the operating features of your door control system at the time of its installation. Your installing dealer will demonstrate them for you.
- NEVER let children operate or play with door controls. Keep the Remote Control away from children.
- ALWAYS keep a moving door in sight and keep people and objects away from the door area until the door is completely closed. NO ONE SHOULD CROSS THE PATH OF A MOVING DOOR.
- TEST THE DOOR OPENER'S REVERSING FEATURE (where applicable) MONTHLY. The door MUST reverse upon contact with a 4" high object on the floor. After adjusting the force setting (clutch) or the limit of travel, ALWAYS RETEST the Opener. Failure to ADJUST THE OPENER PROPERLY may result in SERIOUS INJURY OR DEATH.
- To protect the motor protector from tripping - Do not exceed 10 door cycles per hour.
- **IMPORTANT:** The hardware box contains a caution label which states: "This door is operated by a light duty operator. To prevent the motor protector from tripping - Do not exceed 10 door cycles per hour." Permanently install this label adjacent to the door, near the push button station, at the eye height of the average adult, approximately six feet above the above the floor.
- DO NOT over adjust the force setting (clutch) to compensate for a poorly working door. See page 18 for procedure to check the door operation and page 14 for proper clutch adjustment.
- If possible, USE THE MANUAL RELEASE only when the door is closed. Use caution when using the Release with the door open. WEAK OR BROKEN SPRINGS MAY ALLOW THE DOOR TO CLOSE RAPIDLY, CAUSING SEVERE INJURY OR DEATH.
- KEEP THE GARAGE DOOR PROPERLY BALANCED. See the door owner's manual. An improperly balanced door MAY CAUSE SEVERE INJURY OR DEATH. Have a QUALIFIED SERVICE PERSON MAKE REPAIRS TO CABLES, SPRING ASSEMBLIES AND OTHER HARDWARE.
- SAVE THIS INSTRUCTION MANUAL FOR END USER.
- Inspect and maintain your door system as described in this manual.



WARNING

**AVOID ELECTROCUTION:
DO NOT ROUTE LOW VOLTAGE WIRES IN
SAME CONDUIT AS HIGH VOLTAGE
WIRES. FOLLOW ALL LOCAL
ELECTRICAL CODES OR THE NATIONAL
ELECTRICAL CODE (NEC).**



WARNING

**FAILURE TO TEST REVERSING SYSTEM
COULD RESULT IN DEATH OR SERIOUS
INJURY. TEST THIS SYSTEM ONCE A MONTH.**



CLUTCH ADJUSTMENT



WARNING

RISK OF ENTRAPMENT THAT MAY RESULT IN SERIOUS PERSONAL INJURY OR DEATH. DISCONNECT POWER TO THE OPENER BEFORE SERVICING OR MAKING ADJUSTMENTS. ENSURE DOORWAY IS CLEAR BEFORE STARTING TESTING OF UNIT.



CAUTION

ALWAYS DISCONNECT POWER TO OPERATOR BEFORE SERVICING OR MAKING ADJUSTMENTS.

REQUIRED TO THE DOOR, DOOR SPRINGS OR DOOR OPERATOR MUST BE PREFORMED BY A QUALIFIED PROFESSIONAL DOOR INSTALLER.

The clutch pad will wear during normal operation and should be replaced when it becomes difficult or impossible to sufficiently tighten the clutch to obtain smooth operation of the door when it is in good working condition. To replace the clutch pad, first loosen the motor mounting bolts and remove the V-belt then the clutch adjusting nuts, spring and clutch pulley. Check condition of V-belt before reassembly and replace if required. After reassembly, adjust clutch as described above.

The clutch serves to protect the door, the electric operator and other equipment from undue stress or damage caused by starting forces and/or an obstruction to the door. It should be set no tighter than is necessary to smoothly and consistently move the door throughout its full range of travel. When properly set, it will slip freely if the door should encounter an obstruction, and it should be possible to stop the travel of the door by hand.

WARNING: Before adjustment remove power to the operator.

To adjust the clutch, loosen the jamb nut, and turn the adjusting nut, as shown at right. Make adjustments in 1/4 turn increments. Always re-tighten the jamb nut before running the operator to prevent clutch from changing its setting.

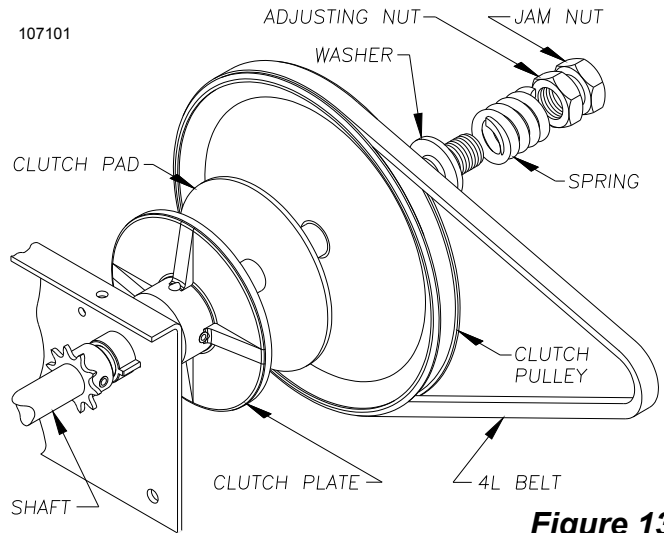


Figure 13

CAUTION

NEVER COMPRESS CLUTCH SPRING BEYOND POINT LIMITED BY THE DESIGN OF THE OPERATOR OR REPLACE IT WITH A HEAVIER SPRING

Due to changing conditions of the door and normal wear, it may be necessary to occasionally readjust the clutch to obtain dependable operation.

WARNING: BEFORE DOING SO BE CERTAIN THAT THE DOOR IS IN GOOD WORKING CONDITION, PROPERLY COUNTERBALANCED AND THAT THE CLUTCH IS NOT SLIPPING BECAUSE OF LOOSE OR MISSING HARDWARE, BINDING IN THE TRACK, RUBBING AGAINST THE DOOR STOPS OR DEFECTIVE OR MISADJUSTED SPRINGS. ANY SERVICE



WARNING

IMPROPER ADJUSTMENT OF CLUTCH SETTING COULD CAUSE ENTRAPMENT, INJURY OR DEATH.

SET CLUTCH ADJUSTMENT FOR JUST ENOUGH FORCE TO OPERATE THE DOOR RELIABLY, BUT NO STRONGER. Contact a service professional to correct any binding, sticking or other door problems. DO NOT OVER-ADJUST CLUTCH SETTING TO COMPENSATE FOR A POORLY WORKING DOOR.



BRAKE ADJUSTMENT

Brake Adjustment

The brake is adjusted at the factory and may need periodic adjustment for wear. When adjustment becomes necessary see **Figure 14** at right for the adjustment procedure.

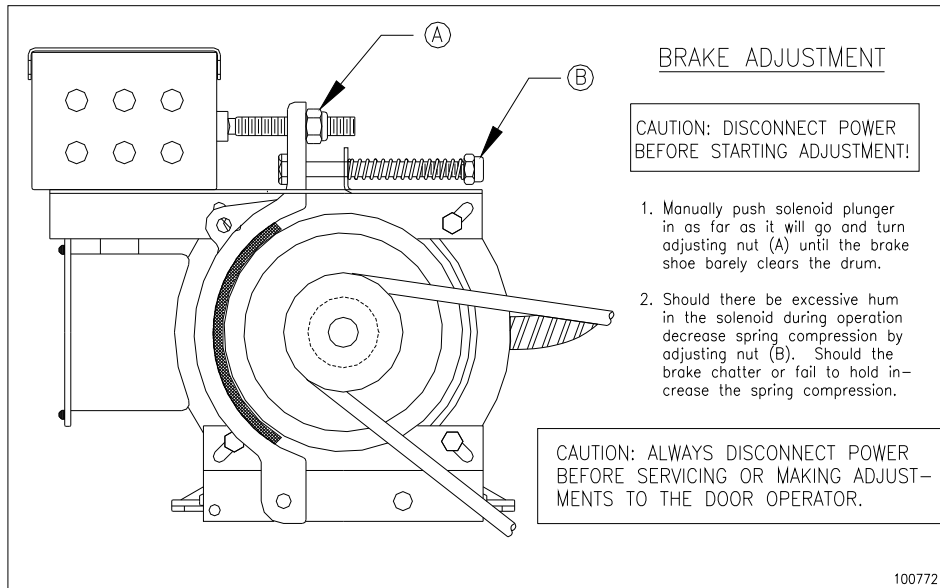


Figure 14

SETTING THE SWITCH SELECTABLE OPERATING MODES

Changing the Switch Selectable Operation Modes

The following modes are selected by setting the on-board dip switches, Figure 15 at right shows where the switches are located on the operator control board. For each Operational Mode, the switches are set to either ON or OFF according to the table below (the table is reproduced on page 16 also). For all the modes, if a reversing device is attached, it will function as noted. If a monitored reversing device has been recognized and becomes inactive then the mode will default to constant pressure activation for close regardless of the dip switch setting. The switches must be set to **one** of the six Operational Mode combinations for the operator to function.

C2 Operation (Factory default)

Open Button: Momentary activation; open override of closing door.

Close Button: Constant activation, door will stop when button is released.

Stop Button: Momentary activation; stops open, close or reverse action.

Single Button: Momentary activation to open; open override of closing door.

Reverse: Momentary activation will reverse a closing door, reverse to full open (ignores mid-stop) unless stopped by stop pushbutton input.

Mid-Stop: Activation stops an opening door; momentary contact of open button at mid stop will restart door to full open position; if door is moving open, constant pressure on open button will bypass mid-stop.

Auto Close Timer: N/A.

Settable Switches Location

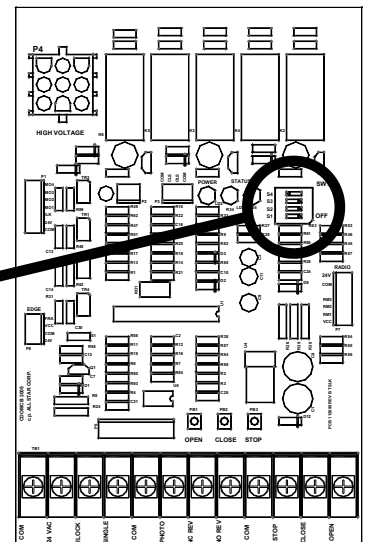
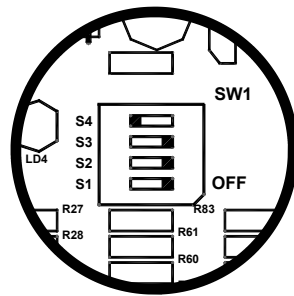


Figure 15

MOTOR CONTROL BOARD

Operating Mode	Switch 1	Switch 2	Switch 3	Switch 4
C2 Operation	OFF	OFF	OFF	OFF
B2 Operation	ON	OFF	OFF	OFF
D1 Operation	OFF	ON	OFF	OFF
E2 Operation	ON	ON	OFF	OFF
TS Operation	OFF	OFF	ON	OFF
T Operation	ON	OFF	ON	OFF



B2 Operation

Open Button: Momentary activation; open override of closing door.

Close Button: Momentary activation.

Stop Button: Momentary activation; stops open, close or reverse action.

Single Button: Momentary activation to open; open override of closing door, closes door from mid-stop or open limit.

Reverse: Momentary activation will reverse a closing door, reverse to full open (ignores mid-stop) unless stopped by stop pushbutton input.

Mid-Stop: Activation stops an opening door; momentary contact of open button at mid stop will restart door to full open position; if door is moving open, constant pressure on open button will bypass mid-stop.

Auto Close Timer: N/A.

D1 Operation

Open Button: Constant activation; open override of closing door.

Close Button: Constant activation, door will stop when button is released.

Stop Button: Momentary activation; stops open, close or reverse action (not required).

Single Button: N/A.

Reverse: Momentary activation will stop a closing door.

Mid-Stop: Activation stops an opening door; after the door stops at the mid stop, constant contact of open button at mid stop will restart door to full open position.

Auto Close Timer: N/A.

E2 Operation (roll-back)

Open Button: Momentary activation; open override of closing door.

Close Button: Constant activation, door will reverse to full open (ignores mid-stop) when button is released.

Stop Button: Momentary activation; stops open, close or reverse action.

Single Button: N/A.

Reverse: Momentary activation to reverse a closing door, reverse to full open (ignores mid-stop) unless stopped by stop pushbutton input.

Mid-Stop: Activation stops an opening door; momentary contact of open button at mid stop will restart door to full open position; if door is moving open, constant pressure on open button will bypass mid-stop.

Auto Close Timer: N/A.

TS Operation

Open Button: Momentary activation; open override of closing door.

Close Button: Momentary activation.

Stop Button: Momentary activation; stops open, close or reverse action.

Single Button: Momentary activation to open; open override of closing door, closes door from mid-stop or open limit.

Reverse: Momentary activation will reverse a closing door, reverse to full open (ignores mid-stop) unless stopped by stop pushbutton input.

Mid-Stop: Activation stops an opening door; momentary contact

Operating Mode	Switch 1	Switch 2	Switch 3	Switch 4
C2 Operation	OFF	OFF	OFF	OFF
B2 Operation	ON	OFF	OFF	OFF
D1 Operation	OFF	ON	OFF	OFF
E2 Operation	ON	ON	OFF	OFF
TS Operation	OFF	OFF	ON	OFF
T Operation	ON	OFF	ON	OFF

of open button at mid stop will restart door to full open position; if door is moving open, constant pressure on open button will bypass mid-stop.

Auto Close Timer: Closes door from mid-stop or open limit after pre-set time. Stop will deactivate the auto close timer. Open will reactivate the auto close timer or reset the auto close timer when the door is at the mid-stop or open limit. Single button will reset the auto close timer from the mid-stop or open limit. Reverse will reactivate the auto close timer or reset the auto close timer when the door is at the mid-stop or open limit.

T Operation, Dip-Switch Setting

Open Button: Momentary activation; open override of closing door.

Close Button: Momentary activation.

Stop Button: Momentary activation; stops open, close or reverse action.

Single Button: Momentary activation to open; open override of closing door, closes door from mid-stop or open limit.

Reverse: Momentary activation will reverse a closing door, reverse to full open (ignores mid-stop) unless stopped by stop pushbutton input.

Mid-Stop: Activation stops an opening door; momentary contact of open button at mid stop will restart door to full open position; if door is moving open, constant pressure on open button will bypass mid-stop.

Auto Close Timer: Closes door from mid-stop or open limit after pre-set time. Stop will deactivate the auto close timer. Open will reactivate the auto close timer or reset the auto close timer when the door is at the open limit. Single button will reset the auto close timer from the mid-stop or open limit. Reverse deactivates the auto close timer if the door is closing. Reverse will reset the auto close timer at the mid-stop or open limit if the auto close timer has not been previously deactivated.



SETUP MODES

Setup Modes

Various operating characteristics can be modified via the setup modes. The operator is moved to the close limit position and the on-board dip switches (see Figure 15) are **TEMPORARILY** set according to the table at right to enter a Setup Mode. The on board OPEN and STOP buttons are used to modify the characteristic. Once set, the values are stored in non-volatile memory.

These values are set to factory defaults that should be satisfactory for many applications. All values as described here can be reset to the factory defaults as follows:

Remove 24 VAC power from the control board.

Press and hold the on-board stop button.

Re-apply 24 VAC while holding the on-board stop button.

After completing the procedure to modify the operating characteristic the switches must be returned to the originally set Operating Mode setting (see section previous).

Delay on Reverse Setup

To help prevent stress on the door components, this feature allows for a delay time between the door stopping and reversing when a command to reverse is received as the door is closing. The factory default time is 0.75 seconds; the minimum time is 0.4 seconds; the maximum time is 2 seconds.

After moving the door to the close position and **temporarily** setting the switches to the appropriate settings in the table, pressing STOP will reset the time to the minimum setting. Every time OPEN is pressed, 200 mS is added to the time (up to the maximum).

Changing the dip-switch setting to any other setting will save the new time. Return the dip switches to the originally set Operating Mode setting (see section previous).

Close Limit Delay Setup

To provide for irregularities in the floor, this feature allows for the door to continue to travel down after the Reverse Cutout Limit is activated. The factory default time is 0.32 seconds; the minimum time is 0.12 seconds; the maximum time is 0.66 seconds.

After moving the door to the close position and **temporarily** setting the switches to the appropriate settings in the table, pressing STOP will reset the time to the minimum setting. Every time OPEN is pressed, 0.02 seconds are added to the time (up to the maximum).

Changing the dip-switch setting to any other setting will save the new time. Return the dip switches to the originally set Operating Mode setting (see section previous).

Mid-Stop Limit Setup

This feature provides a timing function to stop a door as it is traveling open at a Mid Stop position instead of the full open position. The door can then be moved to the full open position if desired by pressing the Open button. A single button input when the door is at the mid stop position will cause the door to begin moving in the close direction. The factory default is not set; the minimum run time to mid-stop limit is 6 seconds.

Setup Mode	Switch 1	Switch 2	Switch 3	Switch 4
Delay on Reverse	ON	ON	ON	ON
Close Limit Delay	OFF	ON	ON	ON
Mid-Stop Limit	ON	OFF	ON	ON
Auto Close Timer	OFF	OFF	ON	ON
Maximum Run Time	OFF	ON	OFF	ON

After moving the door to the close position and **temporarily** setting the switches to the appropriate settings in the table, pressing STOP will remove the mid-stop limit setting.

Pressing OPEN will start the door open. When the door reaches the desired mid-stop position, press STOP.

Changing the dip-switch setting to any other setting will save the mid-stop limit position. Return the dip switches to the originally set Operating Mode setting (see section previous).

Note: The door must move a sufficient distance to fully disengage the Reverse Cutout Limit nut from the Reverse Cutout Limit switch to set the mid-stop limit.

Auto Close Timer Setup

This feature allows for a modification of the amount of time between the door reaching either the Mid Stop or the Full Open position and automatically starting in the close direction. The Auto Close feature is only active when the operator is set to the T or TS Operating Mode (see section previous). The factory default is 30 seconds; the minimum time is 5 seconds; the maximum time is 5 minutes.

After moving the door to the close position and **temporarily** setting the switches to the appropriate settings in the table, pressing STOP will clear and turn off the auto close timer.

Every time OPEN is pressed, 5 seconds is added to the time.

Changing the dip-switch settings to any other settings will save the new time. Return the dip switches to the originally set Operating Mode setting (see section previous).

Maximum Run Time Setup

This feature provides for a maximum amount of time the motor will be energized after an input is recognized. The factory default time is 30 seconds; the maximum time is 60 seconds.

After moving the door to the close position and **temporarily** setting the switches to the appropriate settings in the table, pressing STOP will reset the time to the factory default setting.

Pressing OPEN will start the door open. The run time will be recorded when the door reaches the open limit. To prevent nuisance problems, 0.75 seconds are added to this time. Pressing stop before the door reaches the open limit will stop the door and reset the time to the factory default.

Changing the dip-switch setting to any other setting will save the new time. Return the dip switches to the originally set Operating Mode setting (see section previous).



TESTING

Following installation, the operator **MUST** be tested and respond correctly to all controls as specified on the wiring diagram. **KEEP** personnel and equipment clear of the area beneath the door when performing the tests. When testing the 3-button wall station, first observe that each button operates the door in the direction indicated and that the STOP button performs that function. With the door stopped at its full open position, the OPEN button should be inoperative. This should be verified and, likewise, the CLOSE button should be inoperative with the door fully closed.

Certain operator control circuits use only a single button or a two button control station and may be designed to function differently than the more common three-button circuit described above. Test the controls in accordance with the description of operation as indicated on the wiring diagram.

Observe the door when traveling in each direction for smoothness of operation. Test the setting of the clutch by restraining the door by hand. The clutch should slip. Re-check the limit settings. The door should close tightly at the floor without excessive impact. Likewise, it should fully clear the door opening without the carrier striking the stops on the rail.


The MS Series operators are equipped with a reversing edge circuit and to conform with code need to be connected to a pneumatic edge or foam edge door components. To test it for proper reversal, place an object beneath the leading edge of the


door. The door should stop, pause and reverse when it comes into contact with the object provided the height of the object exceeds the cut out point set for the Reversing Cutout Limit switch (approximately four inches).

CAUTION
DO NOT STAND UNDER DOOR TO TEST REVERSING EDGE. USE A STURDY CORRUGATED BOX OR OTHER SIMILAR OBJECT.

If the operator is equipped with other means of control, such as additional 3 button stations or radio controls, each of these should be tested separately for proper operation.

To test the manual disconnect first move the door to the fully closed position. Then disconnect the power to the operator. Manual door operation mode should engage when the release chain is pulled. The door can then be manually opened or closed by physically moving the door (Model MJ5011S) or using the hoist chain (Model MH5011S). If it is difficult to engage and/or the jackshaft to doorshaft chain appears to be under compression, reset the CLOSE limit slightly to reduce the door travel in the close direction.

 **WARNING**
FAILURE TO TEST REVERSING SYSTEM COULD RESULT IN DEATH OR SERIOUS INJURY. TEST THIS SYSTEM ONCE A MONTH.

 **WARNING**
ALWAYS DISCONNECT POWER TO THE OPERATOR BEFORE SERVICING, CONNECTING ACCESSORY DEVICES OR MAKING ADJUSTMENTS.



MAINTENANCE

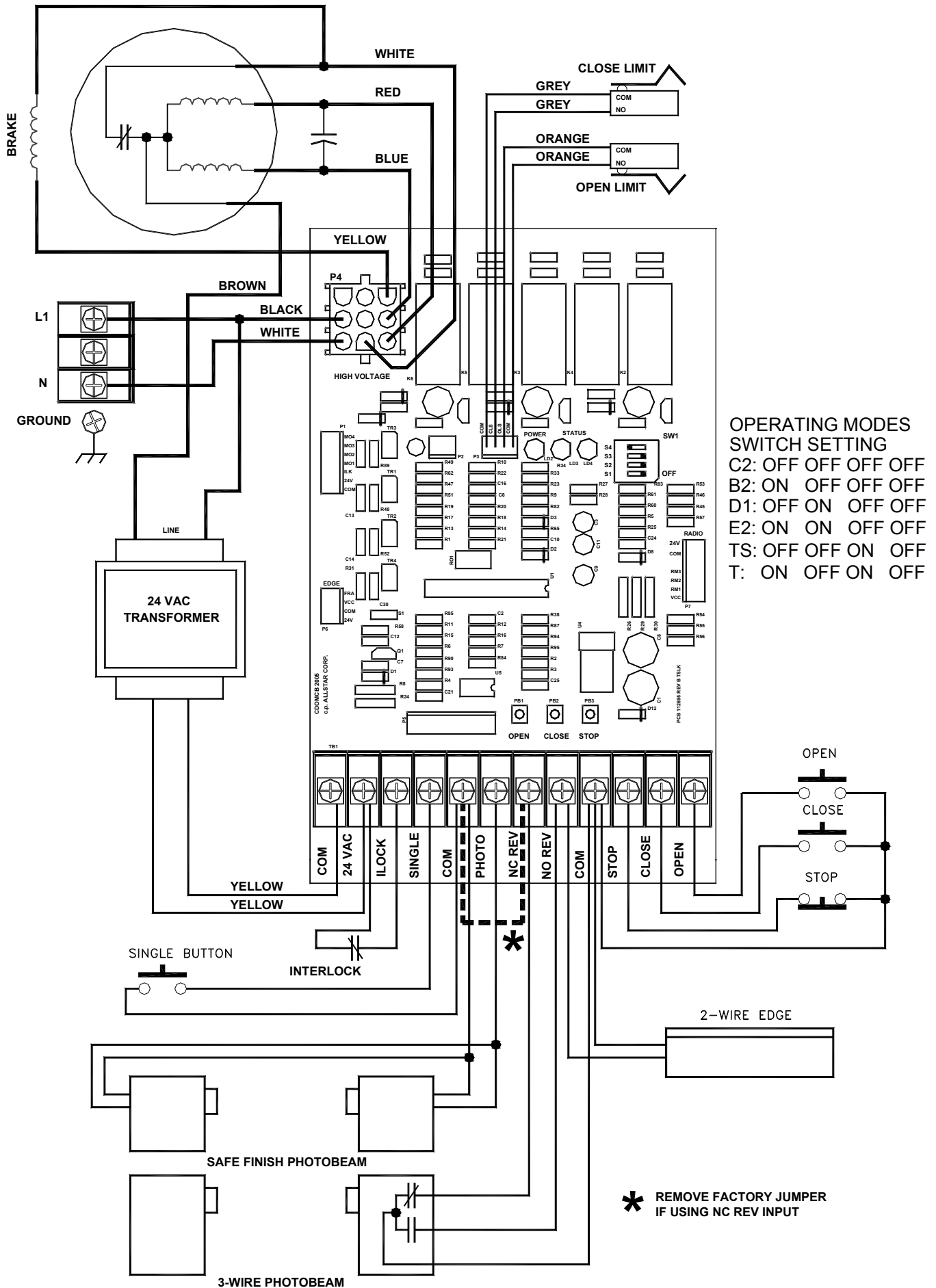
Normally, very little maintenance is required. A monthly visual inspection must be made for loose or missing hardware and for excessive slack in the V-Belt and jackshaft chain. The clutch must be tested periodically and adjustments made if necessary (see Figure 13, page 14). The brake is adjusted at the factory and may need periodic adjustment for wear. When adjustment becomes necessary see **Figure 14** on page 15 for the adjustment procedure.

Test the reversing edge circuit at least once a month by permitting the door to contact an obstruction while closing.

CAUTION
DO NOT STAND UNDER DOOR TO TEST REVERSING EDGE - USE A CORRUGATED BOX OR OTHER SIMILAR OBJECT

Lubrication of the operator is not required. It is important, for trouble free service from the operator, that the door be kept free from binding, properly counter balanced and periodically lubricated. **An annual inspection of the door by a qualified overhead door professional is recommended.**

Warning: Repairs and adjustments to the door and operator should be performed only by someone qualified to service commercial overhead doors and operators.



OPERATING MODES
SWITCH SETTING

C2:	OFF	OFF	OFF	OFF
B2:	ON	OFF	OFF	OFF
D1:	OFF	ON	OFF	OFF
E2:	ON	ON	OFF	OFF
TS:	OFF	OFF	ON	OFF
T:	ON	OFF	ON	OFF

* REMOVE FACTORY JUMPER IF USING NC REV INPUT

NOTES

Manufacturer's Limited Warranty

Linear LLC warrants its Allstar brand commercial door operators to be free from defect in material and workmanship for a period of two (2) years from the date of purchase. To obtain service contact your dealer.

To obtain service under this warranty the buyer must obtain authorization instructions for the return of any goods from Linear before returning the goods. The goods must be returned with complete identification, with copy of proof-of-purchase, freight prepaid and in accordance with Linear's instructions or they will not be accepted. In no event will Linear be responsible for goods returned without proper authorization or identification.

Goods returned to Linear for warranty repair within the warranty period, which upon receipt by Linear are confirmed to be defective and covered by this limited warranty, will be repaired or replaced at Linear's sole option, at no cost and returned pre-paid. Defective parts will be repaired or replaced with new or factory rebuilt parts at Linear's sole option.

This limited warranty does not cover non-defect damage, damage caused by unreasonable use, damage caused by improper installation or care, vandalism or lightning, fire or excessive heat, flood or other acts of God (including, but not limited to misuse, abuse or alterations, failure to provide reasonable and necessary maintenance), labor charges for dismantling or reinstalling a repaired or replaced unit, or replacement batteries.

These warranties are in lieu of all other warranties, either expressed or implied. All implied warranties of merchantability and/or fitness for a particular purpose are hereby disclaimed and excluded. Under no circumstances shall Linear be liable for consequential, incidental or special damages arising in connection with the use or inability to use this product. In no event shall Linear's liability for breach of warranty, breach of contract, negligence or strict liability exceed the cost of the product covered hereby. No person is authorized to assume for Linear any other liability in connection with the sale of this product.

This warranty gives you specific legal rights. You may also have other rights which vary from state to state. Warranty effective after October 1st, 2007.

For Information:

877-441-9300 800-421-1587 www.allstarcorp.com

**This Door Operator is built in the USA and
complies with all requirements of
ANSI/UL Standard 325.**